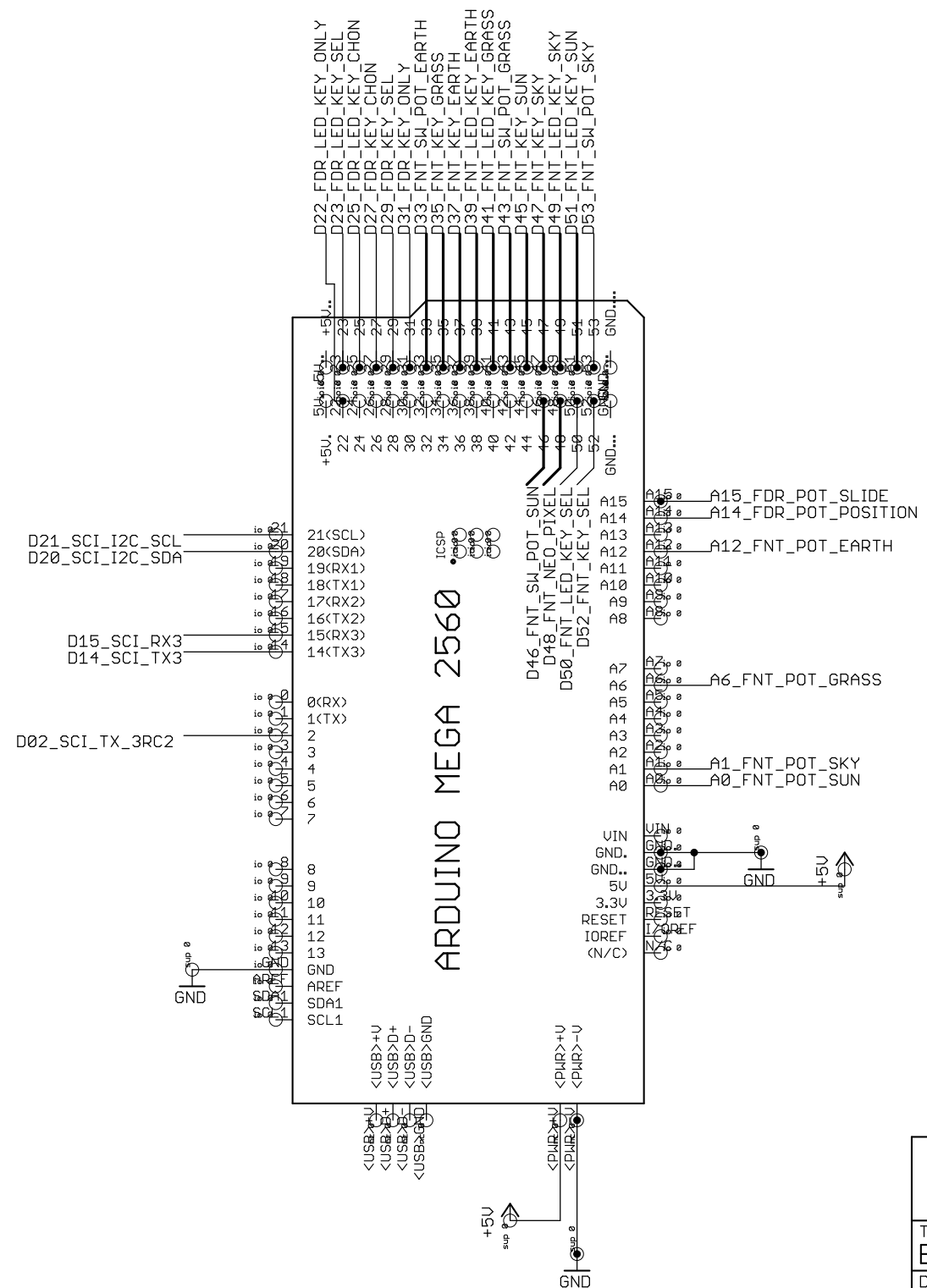
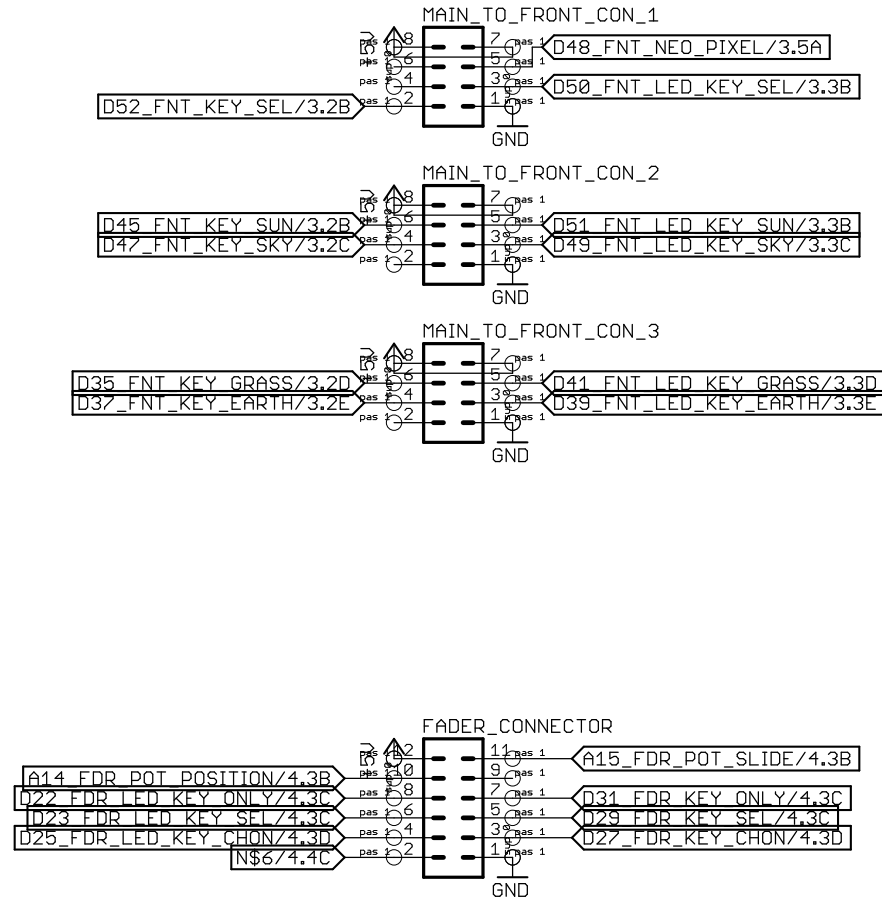


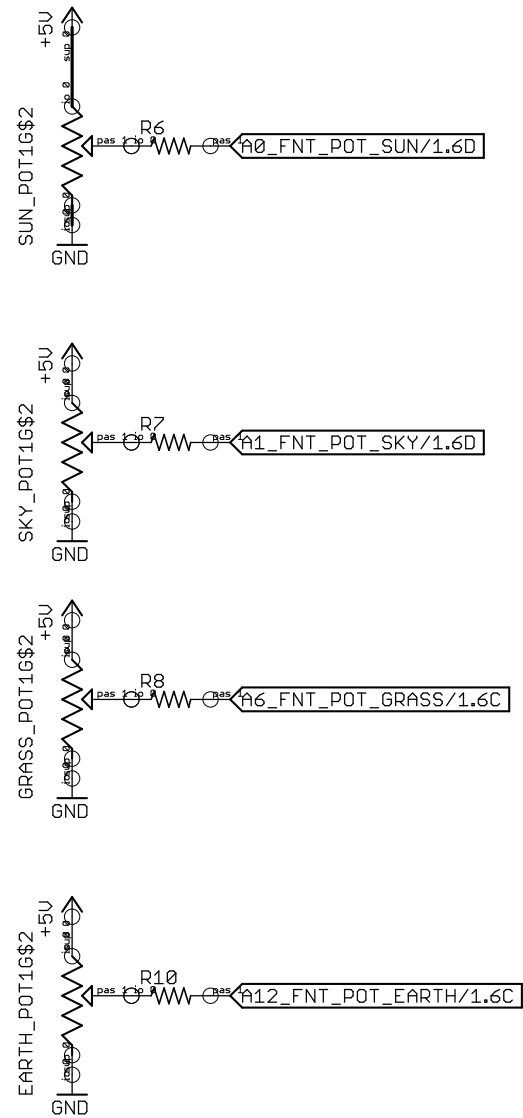
MEGA

IIT

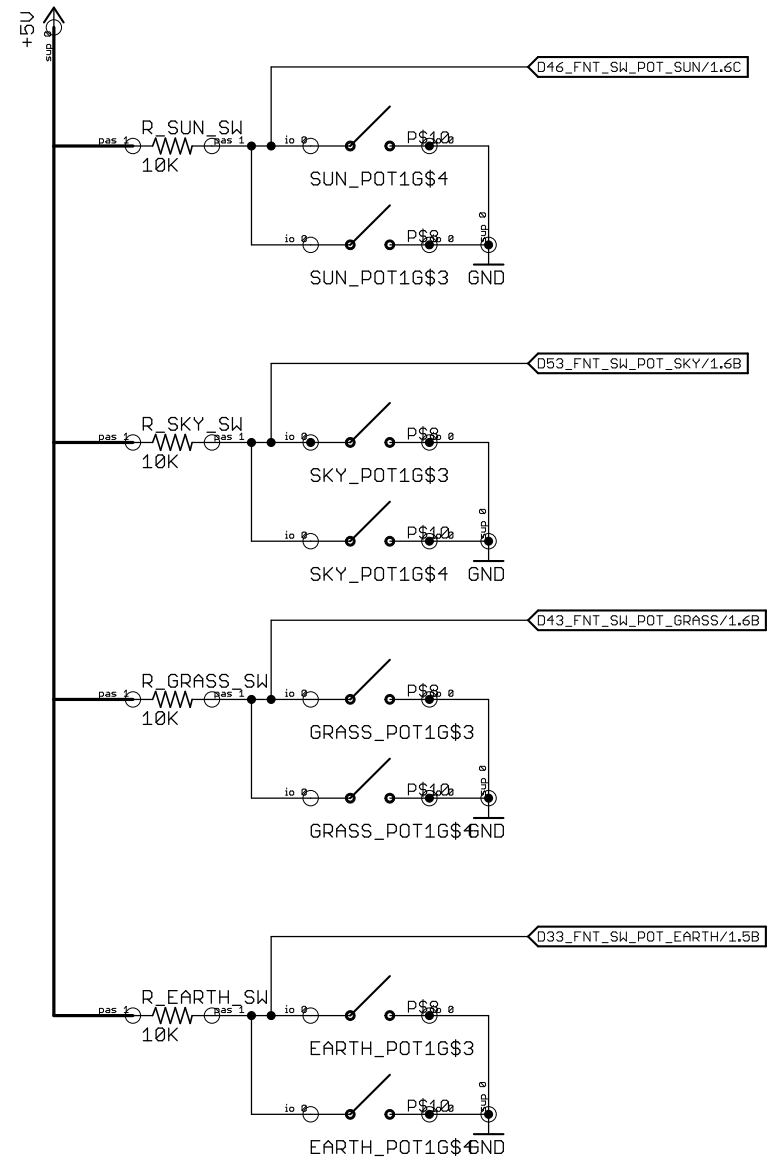


WBS		WARD-BECK SYSTEMS	
TITLE: Encoder PCB - REV 17.1			
Document Number: MEGA interface			REV: WBS1
Saved: 2016-04-06 7:03 PM		Sheet: 1/11	
Printed: 2016-04-06 7:04 PM		Drawn: APK	

FNT POT



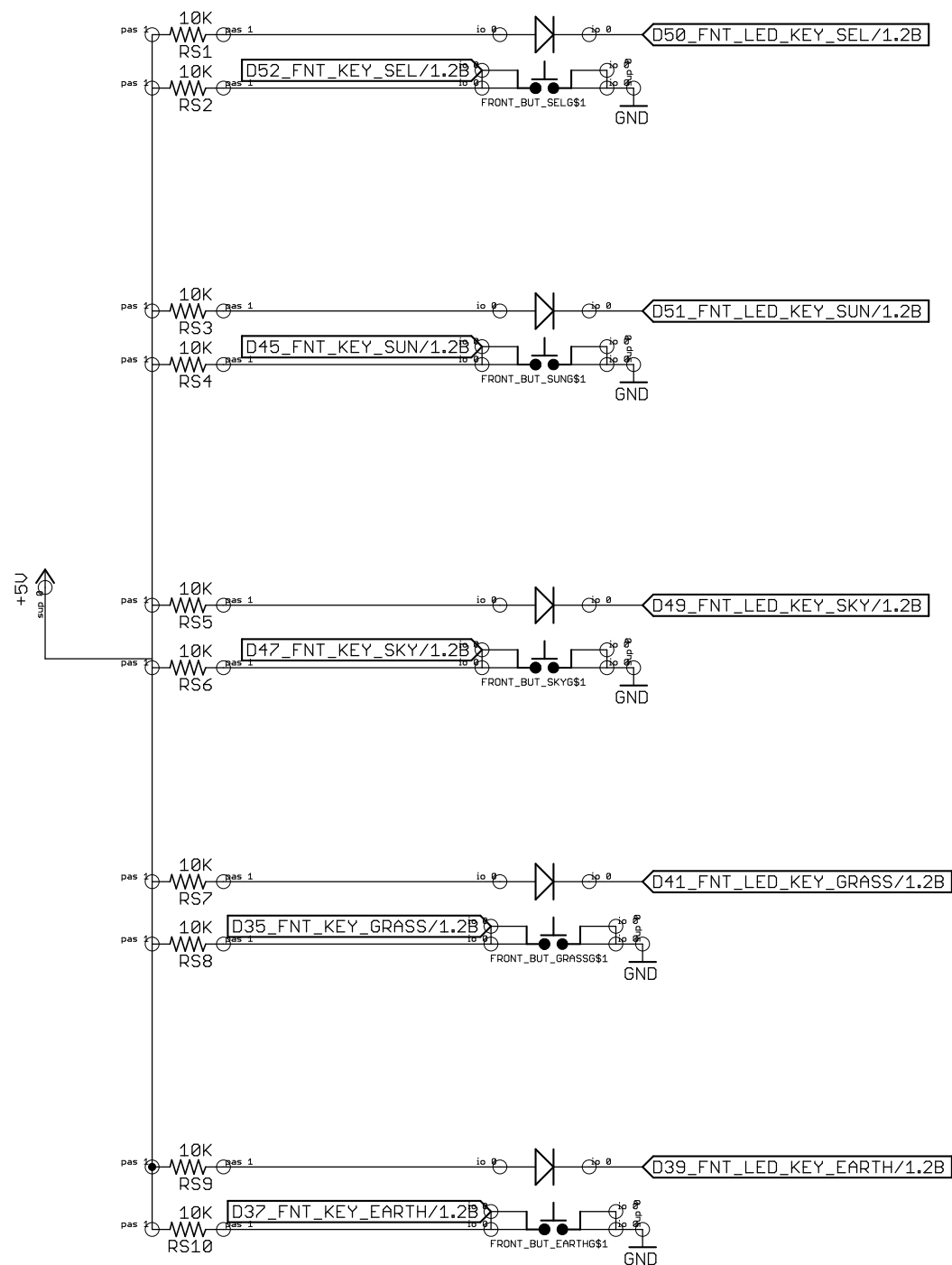
FNT-SW_POT



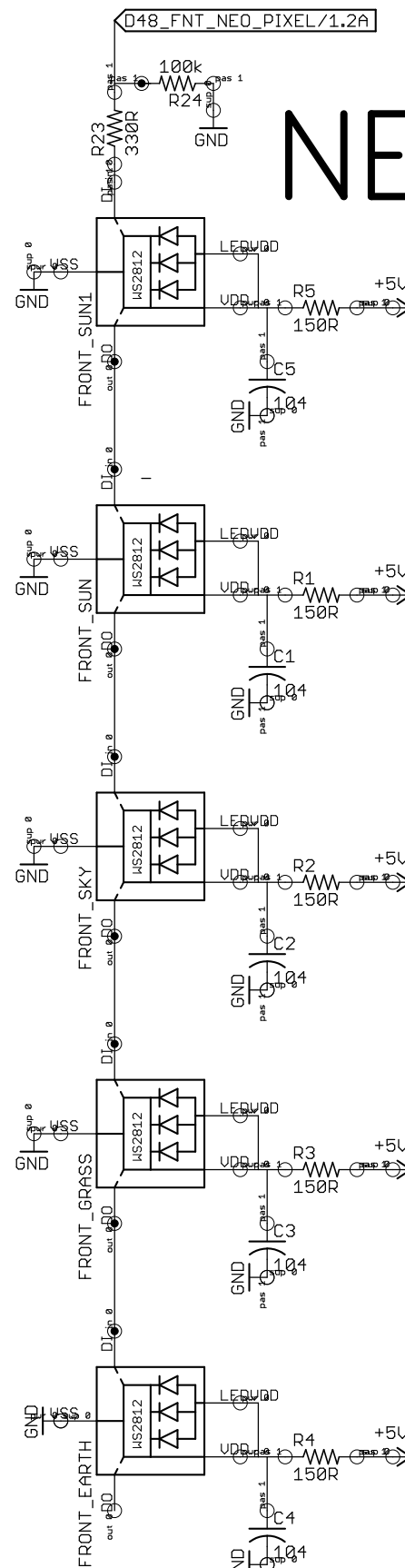
WBS		WARD-BECK SYSTEMS	
TITLE: Encoder PCB - REV 17.1			
Document Number: FRONT POT			REV: WBS2
Saved: 2016-04-06 7:03 PM		Sheet: 2/11	
Printed: 2016-04-06 7:04 PM		Drawn: APK	

FNT-FRONT PANEL

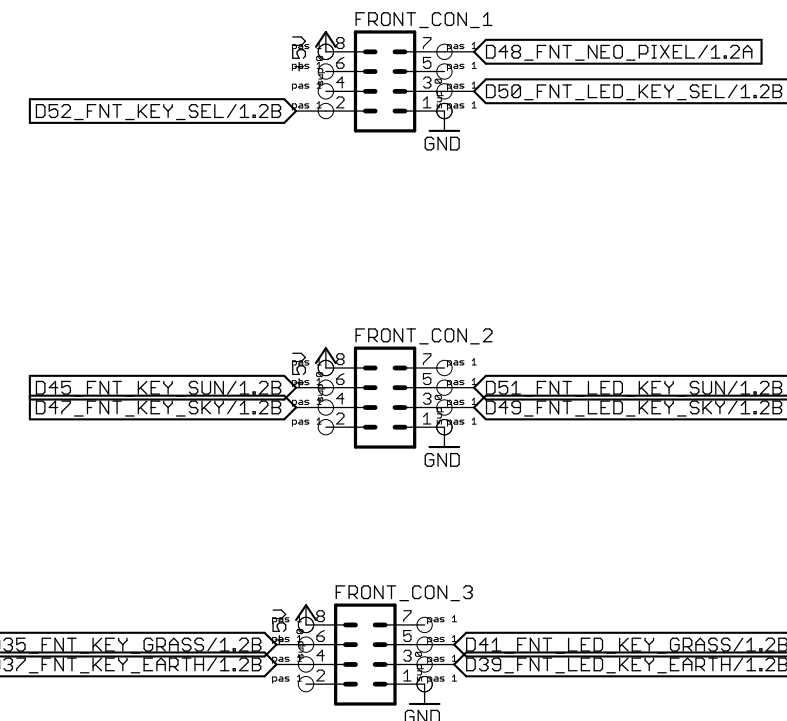
KEY



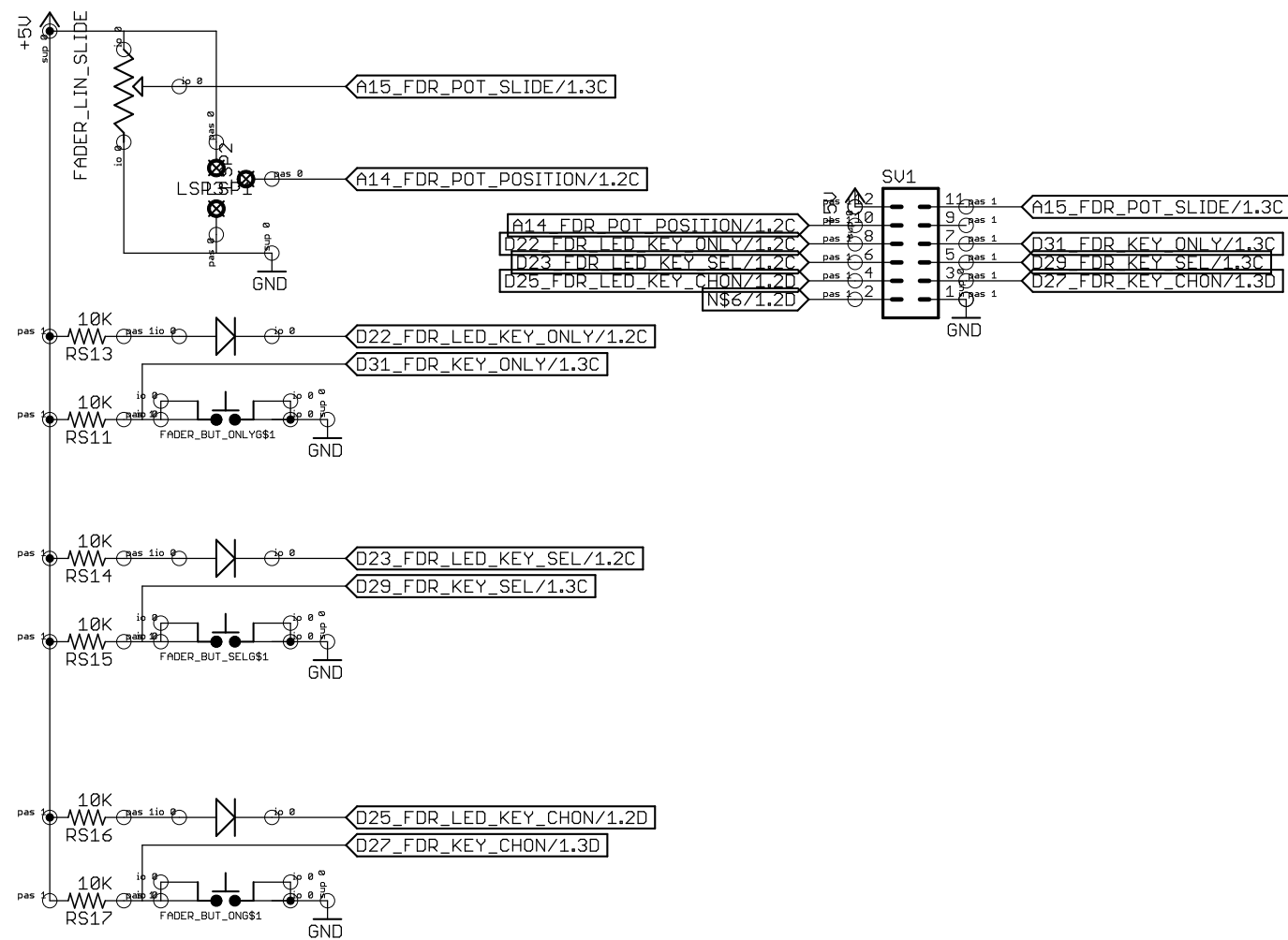
NEO



IIT



WBS		WARD-BECK SYSTEMS	
TITLE: Encoder PCB - REV 17.1			
Document Number:		REV:	
Front Panel		WBS3	
Saved: 2016-04-06 7:03 PM		Sheet: 3/11	
Printed: 2016-04-06 7:04 PM		Drawn: APK	

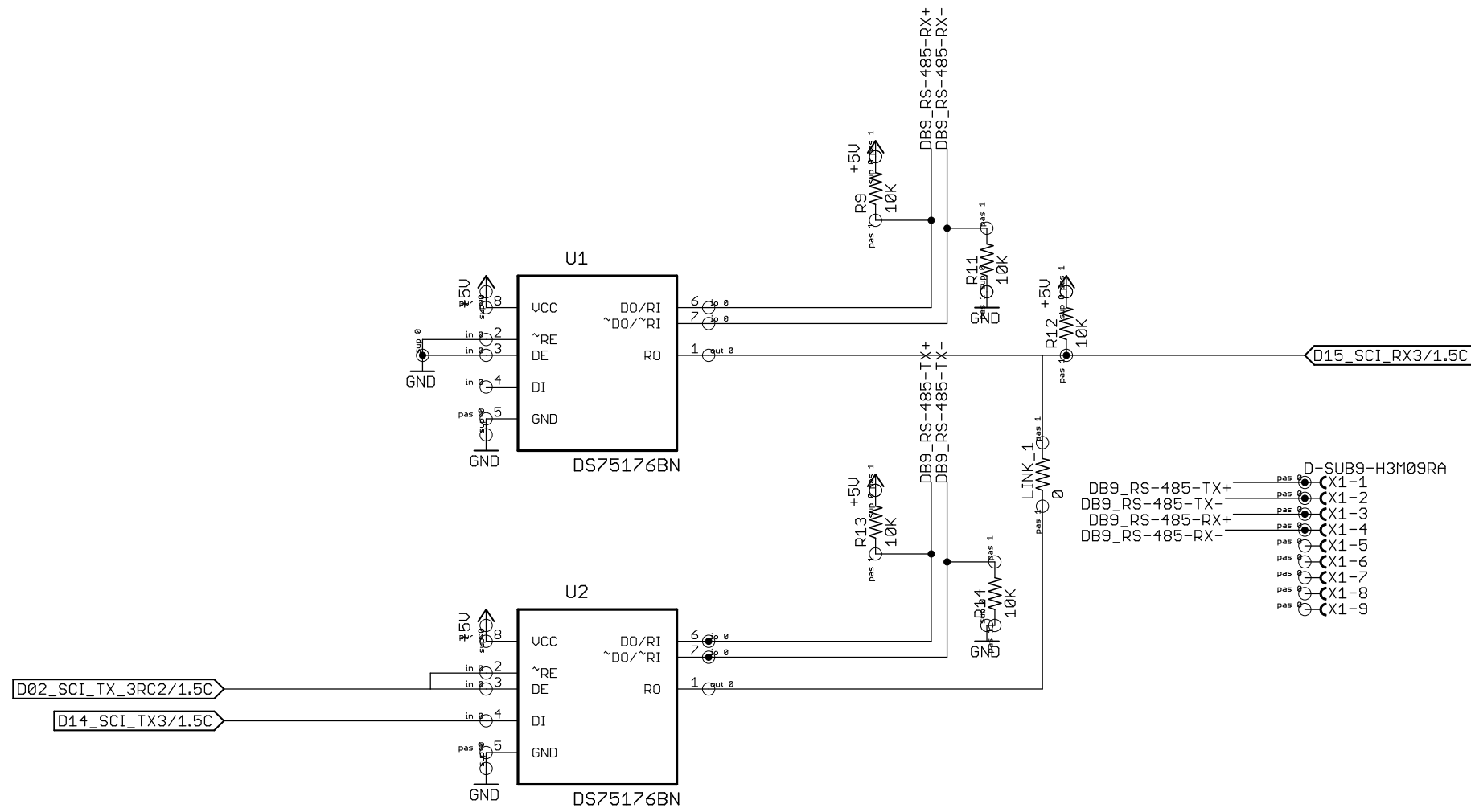


FDR
FADER

WBS		WARD-BECK SYSTEMS	
TITLE: Encoder PCB - REV 17.1			
Document Number: Fader Panel			REV: WBS4
Saved: 2016-04-06 7:03 PM		Sheet: 4/11	
Printed: 2016-04-06 7:04 PM		Drawn: APK	

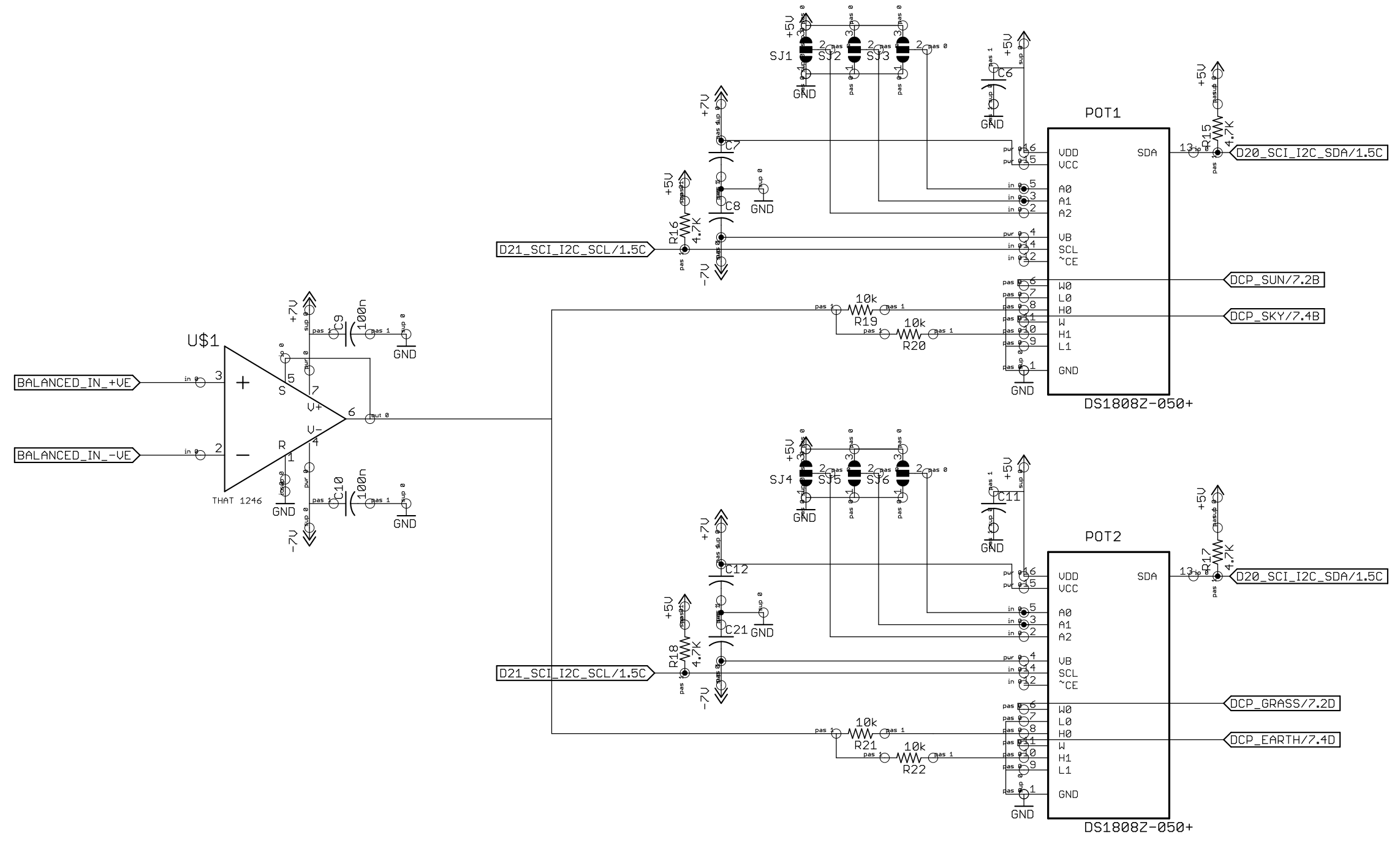
SERIAL TRANSCIEVER

SCI



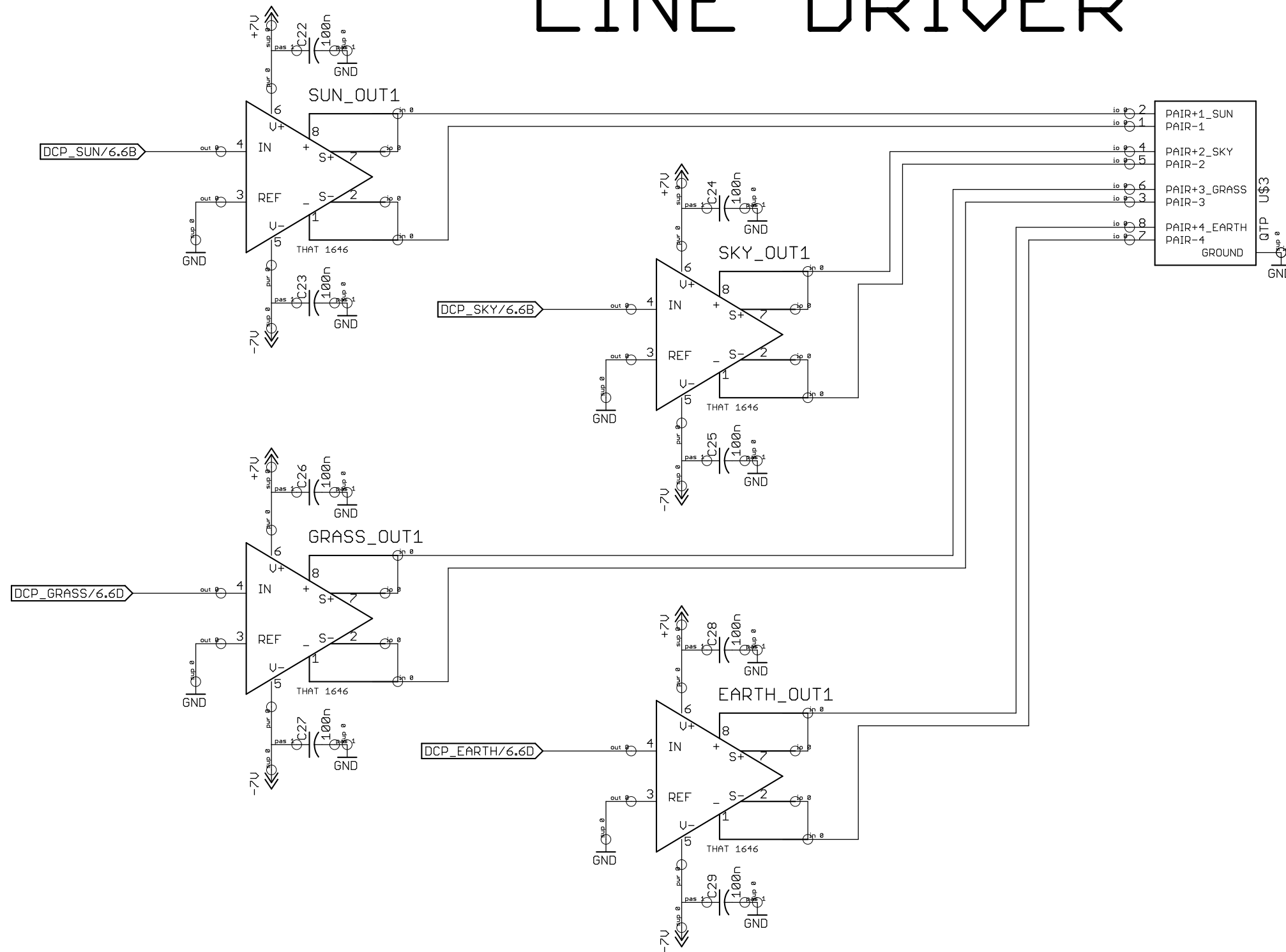
WBS WARD-BECK SYSTEMS	
TITLE: Encoder PCB - REV 17.1	
Document Number:	REV: WBS5
Serial Transciever	
Saved: 2016-04-06 7:03 PM	Sheet: 5/11
Printed: 2016-04-06 7:04 PM	Drawn: APK

DECODER



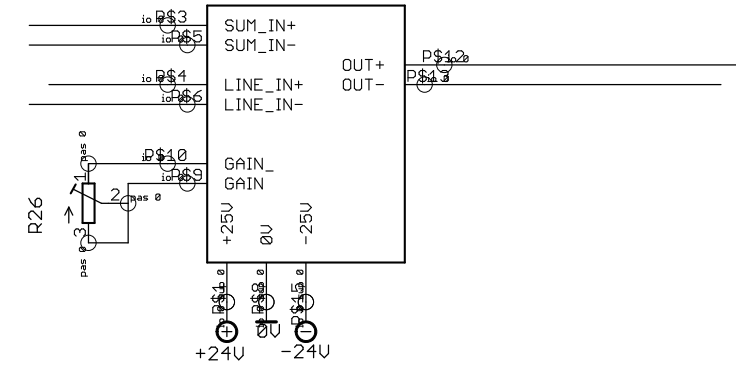
WBS		WARD-BECK SYSTEMS	
TITLE: Encoder PCB - REV 17.1			
Document Number:			REV:
Balanced Line RX - Digital Pot			WBS6
Saved: 2016-04-06 7:03 PM		Sheet: 6/11	
Printed: 2016-04-06 7:04 PM		Drawn: APK	

LINE DRIVER

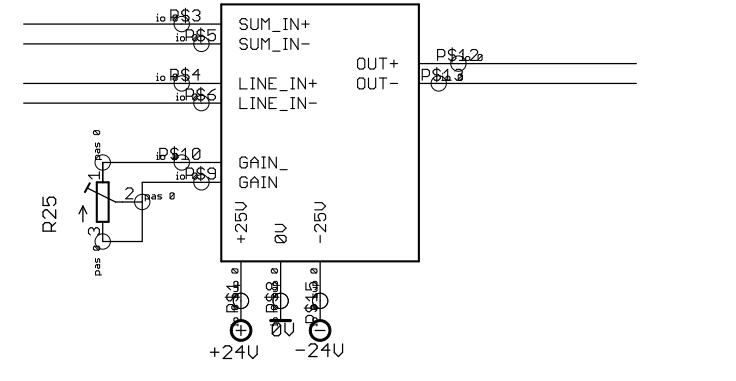


WBS		WARD-BECK SYSTEMS	
TITLE: Encoder PCB - REV 17.1			
Document Number: Balanced Line Driver			REV: WBS7
Saved: 2016-04-06 7:03 PM		Sheet: 7/11	
Printed: 2016-04-06 7:04 PM		Drawn: APK	

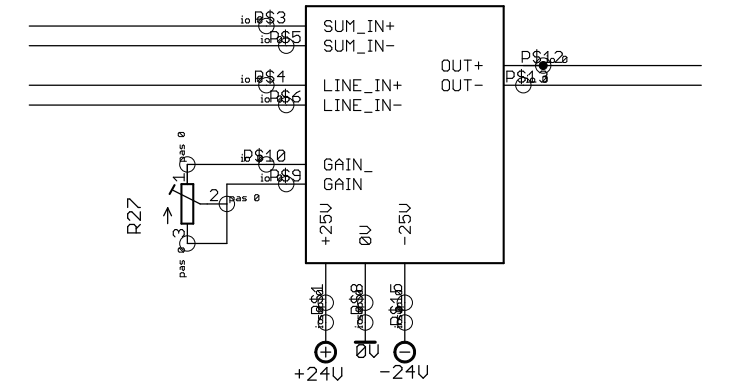
M450A_AMPLIFIER SUMMING1



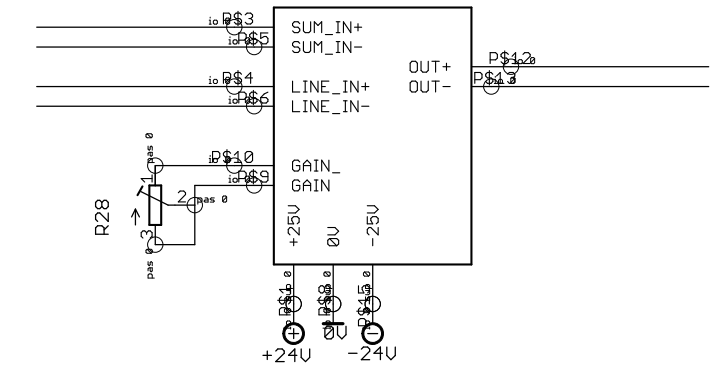
M450A_AMPLIFIER SUMMING2



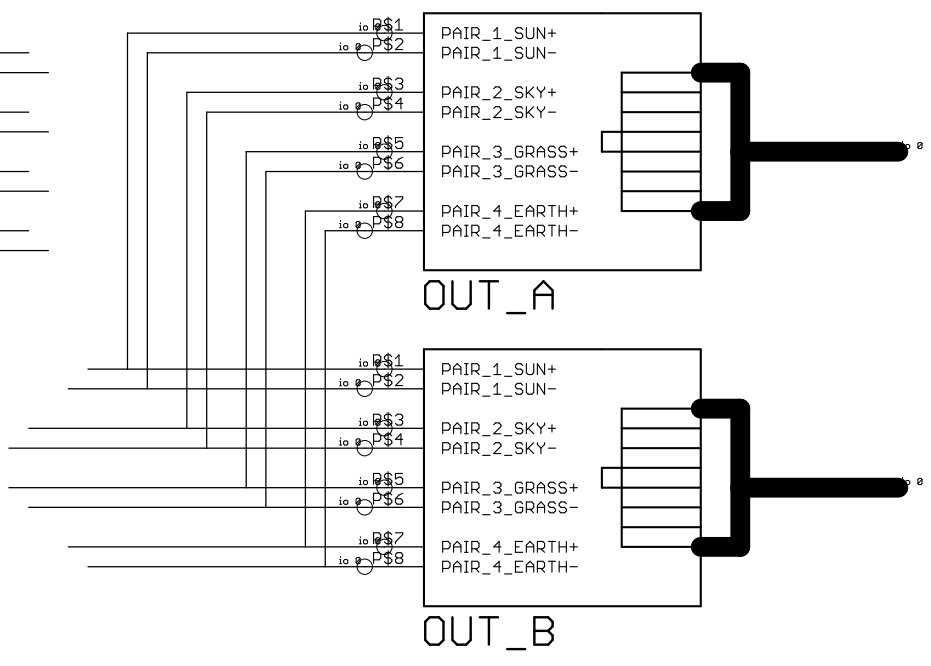
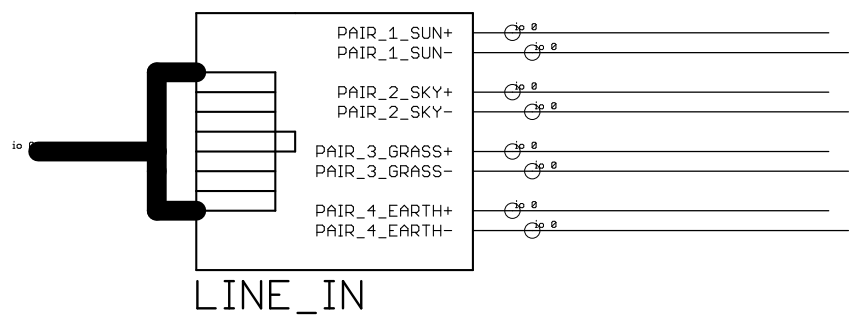
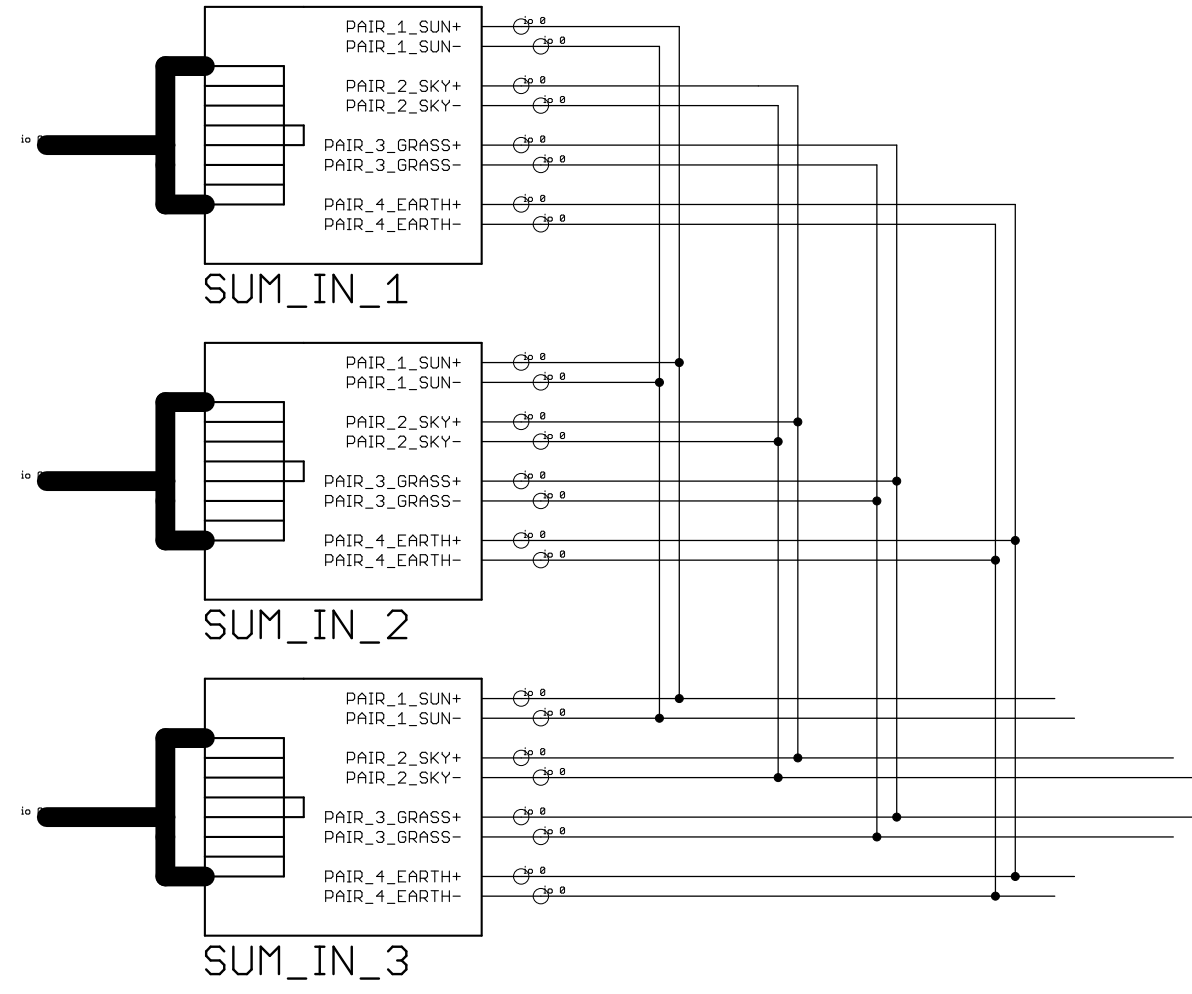
M450A_AMPLIFIER SUMMING3



M450A_AMPLIFIER SUMMING4

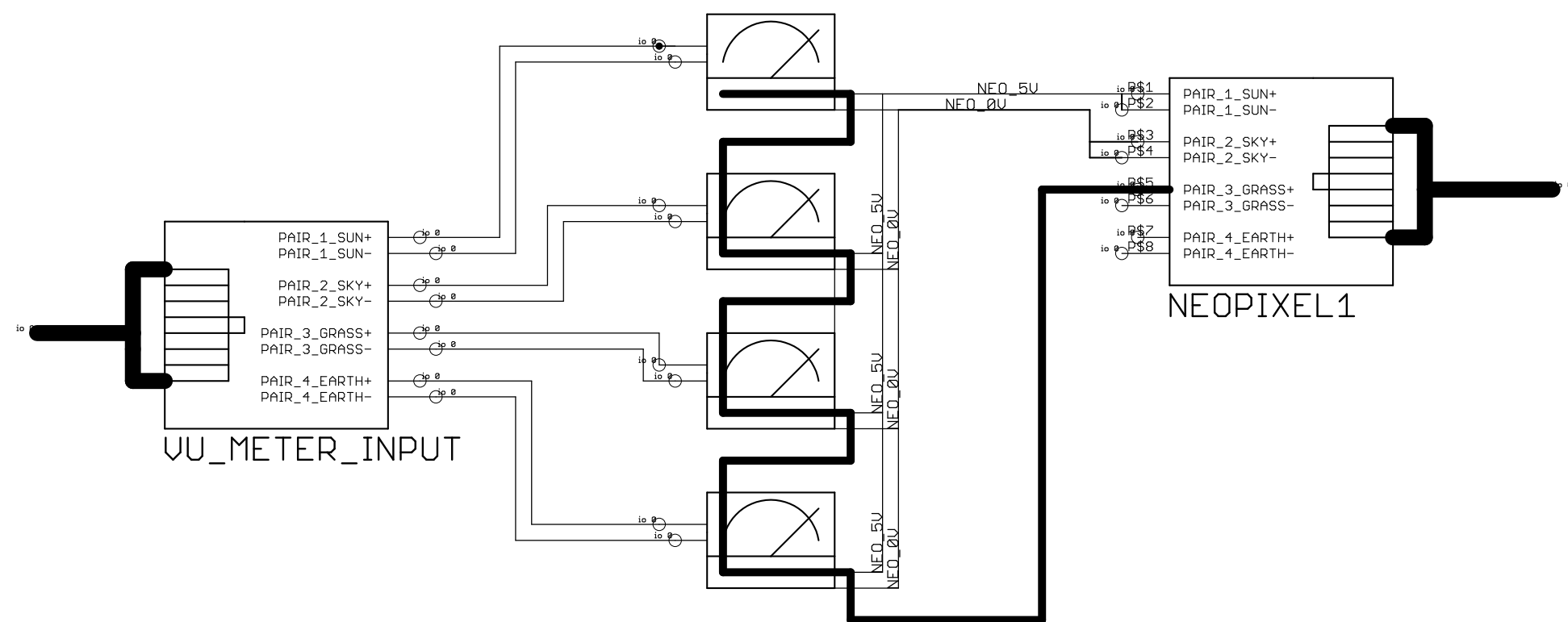


SUMMING



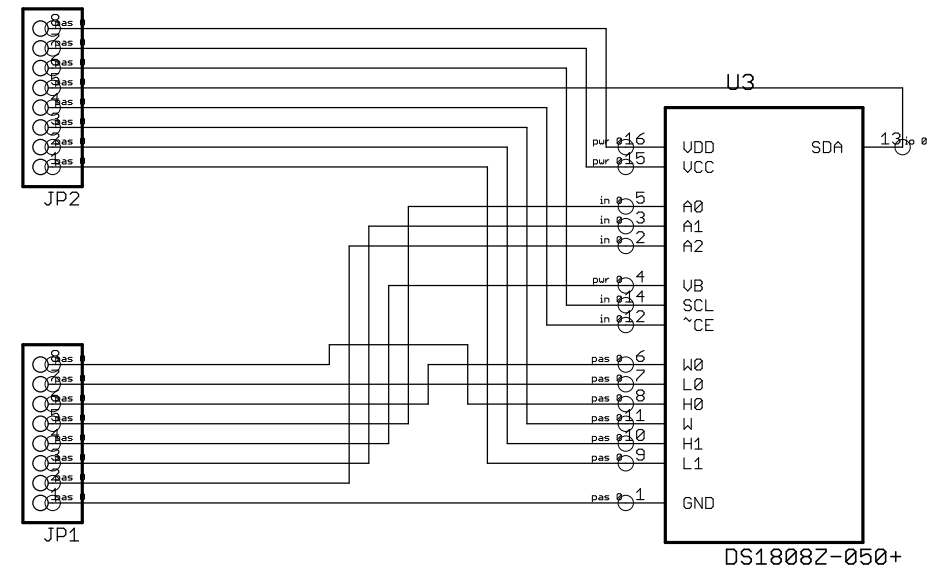
WBS		WARD-BECK SYSTEMS	
TITLE: Encoder PCB - REV 17.1			
Document Number:			REV:
Quad Summing			APK1
Saved: 2016-04-06 7:03 PM		Sheet: 8/11	
Printed: 2016-04-06 7:04 PM		Drawn: APK	

VU METERS

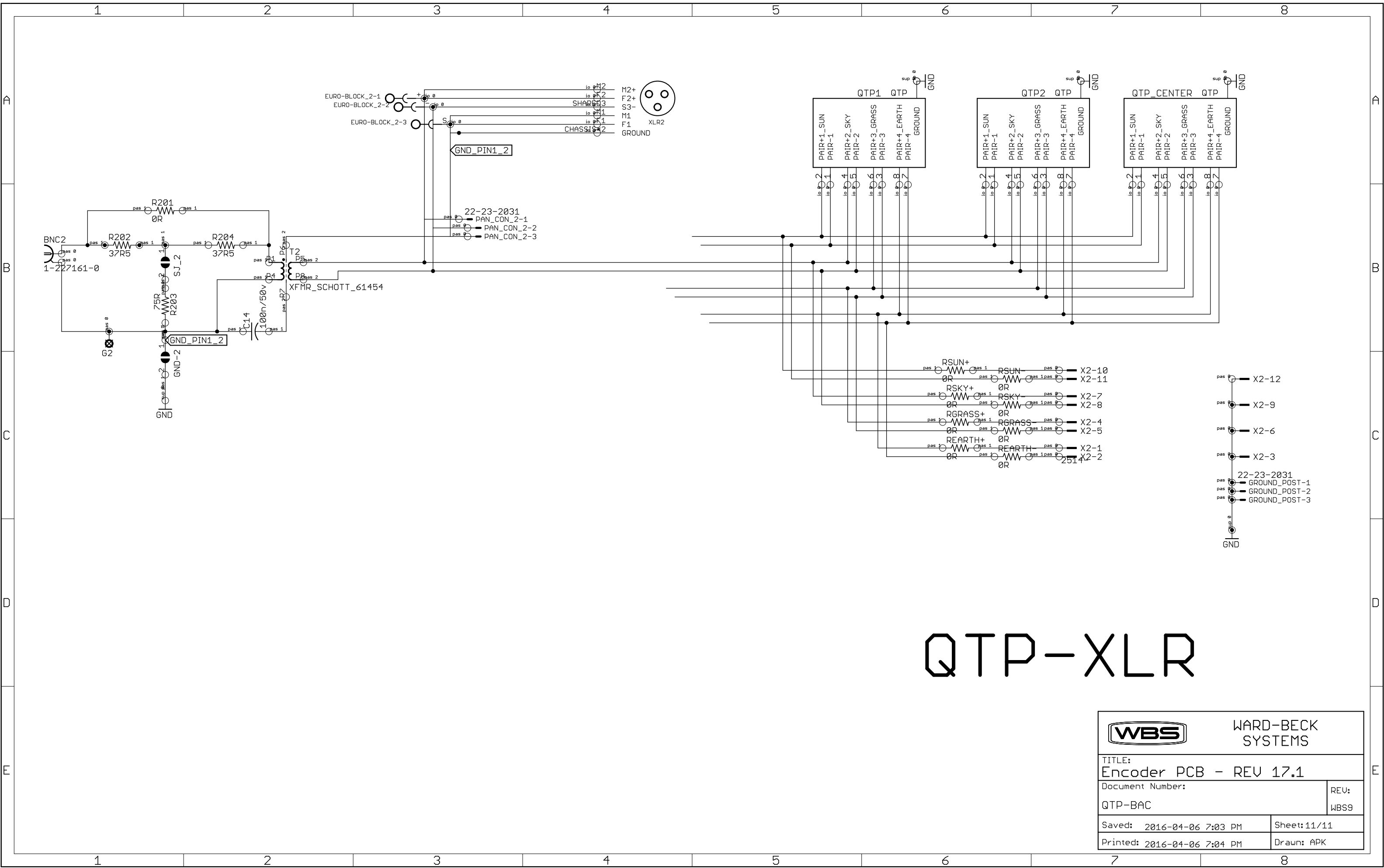


WBS		WARD-BECK SYSTEMS	
TITLE: Encoder PCB - REV 17.1			
Document Number: VU METER PANEL			REV: APK3
Saved: 2016-04-06 7:03 PM		Sheet: 9/11	
Printed: 2016-04-06 7:04 PM		Drawn: APK	

DCP-socket



WBS		WARD-BECK SYSTEMS	
TITLE: Encoder PCB - REV 17.1			
Document Number: DS1882 Adapter			REV: WBS8
Saved: 2016-04-06 7:03 PM		Sheet: 10/11	
Printed: 2016-04-06 7:04 PM		Drawn: APK	



QTP-XLR

WBS		WARD-BECK SYSTEMS	
TITLE: Encoder PCB - REV 17.1			
Document Number: QTP-BAC			REV: WBS9
Saved: 2016-04-06 7:03 PM		Sheet: 11/11	
Printed: 2016-04-06 7:04 PM		Drawn: APK	